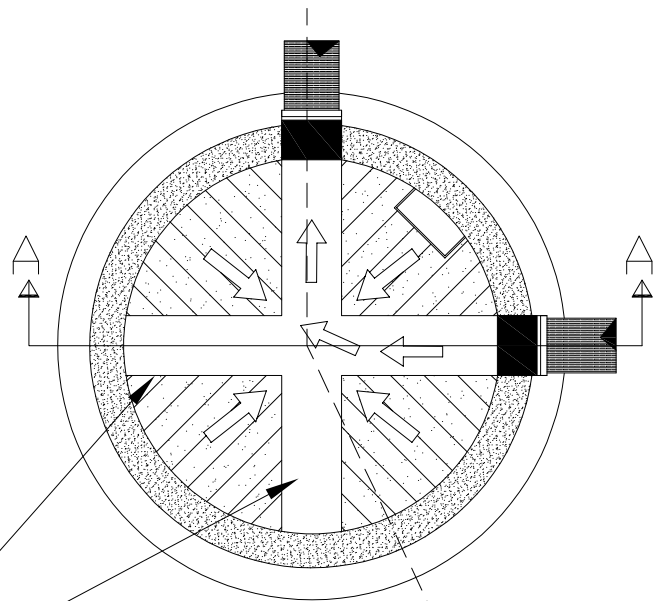


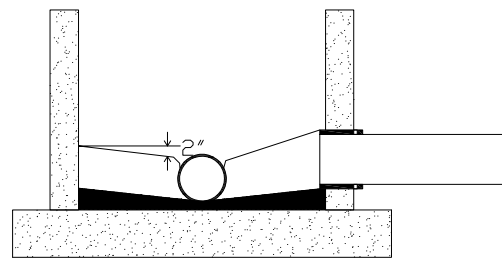
Tee Manhole

Full Depth channel to extend to opposite Side of manhole. To allow testing equipment Insertion.

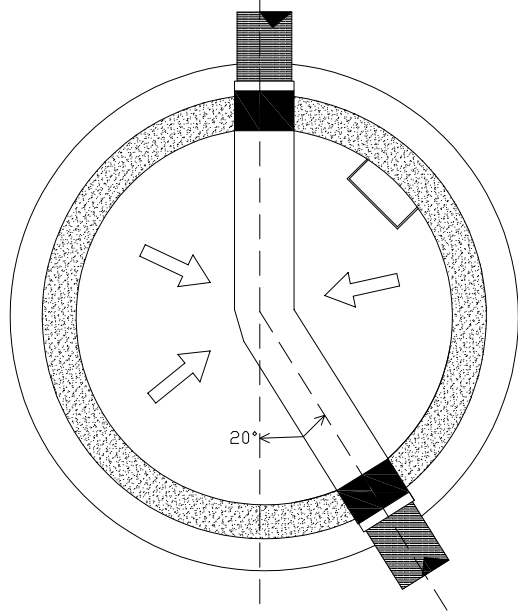
All surfaces to slope to manhole outlet.  
Top of Bench slope, 2" per foot  
Extended Channel 1" per foot



From 20 Degree to 90 Degree



SECTION A-A



From Straight Through to 20 Degree

## SANITARY MANHOLE BENCH DETAIL

FRANKLIN  
ENGINEERING DEPT

FIGURE 31